

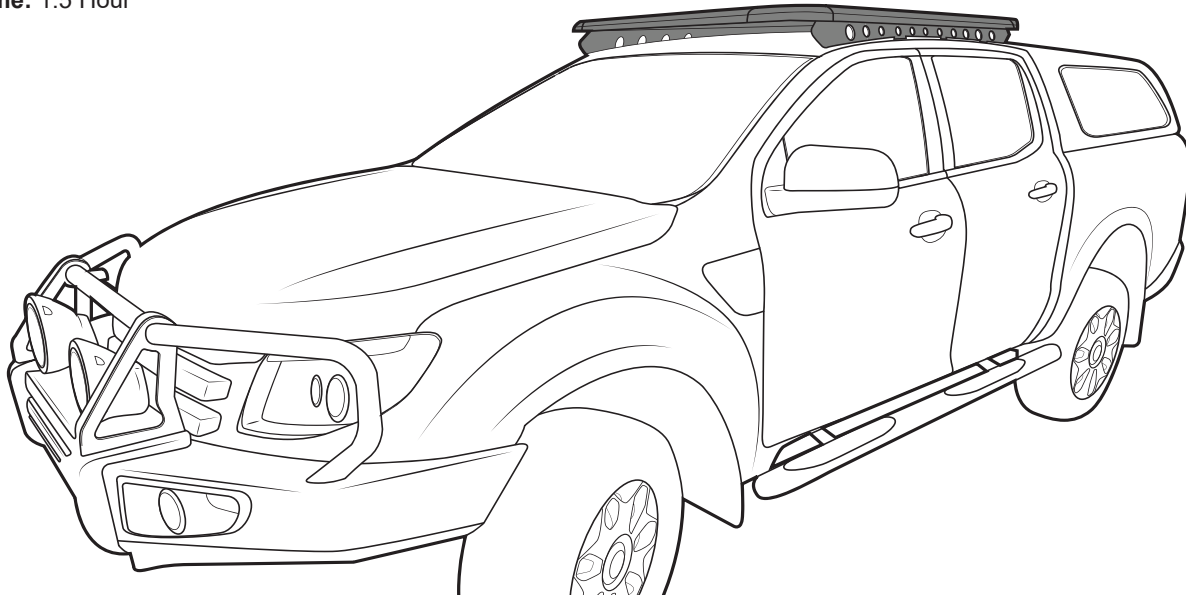


**CONTROLLED**

# RHINO-RACK

## Ford Ranger/ BT-50 Backbone - RFRB1

Fit Time: 1.5 Hour



### Important Information

**Maximum carrying capacity:**

Suitable Pioneers	On Road Cargo Allowance	Unsealed Road Cargo Allowance	Static Allowance	Roof Allowance	Rack Weight
42100B	74.5kg / 164lb	41kg / 90lb	334.5kg / 737lb	100kg / 220lb	25.5kg / 56lb
45100B	72.5kg / 160lb	39kg / 86lb	332.5kg / 733lb		27.5kg / 61lb
41100	70kg / 155lb	36.5kg / 80lb	330kg / 728lb		30kg / 66lb

**Roof Allowance:** Total permissible weight attached to the roof of the car. This is inclusive of the weight of the roof rack system

**Cargo Allowance:** Total permissible weight allowed on top, and attached to roof racks whilst the vehicle is in motion

**Static Allowance:** Total permissible weight allowed on top, and attached to roof racks whilst the vehicle is stationary

Please refer to your vehicle manufacturers handbook for maximum carrying capacity. Always use the lower of the two figures. Load must be evenly distributed over the entire Pioneer. Weight of roof rack accessories is to be included in cargo allowance.

**Torque settings**

Unless stated otherwise in these instructions, all fasteners should be set to the following torque settings -

M6: 4-5Nm (3-4lbs/ft), M8: 8-10Nm (6-7.5lbs/ft) and M10: 16-18Nm (12-13lbs/ft).

**Warning:**

- Check Part No. and/ or Kit is correct for use with your vehicle
- Do not attempt to fit the rack system to your vehicle unless you fully understand these fitting instructions. Please direct any questions regarding fitting to the dealer from where the roof racks were purchased.
- **Use only non-stretch fastening ropes or straps.**
- The handling characteristics of the vehicle changes when you transport a load on the roof. For safety reasons we recommend you exercise extreme care when transporting wind-resistant loads. Special consideration must be taken into account when cornering and braking.
- Although the system is tested and approved to AS1235-2000 / ISO 11154, off-road conditions can be much more rigorous. Extreme care must be taken in off road conditions

**Recommendations:**

It is essential that all bolt connections be checked after driving a short distance when you first install your roof racks. Bolt connections should be checked again at regular intervals (once a week is enough, depending on road conditions, usage, loads and distances travelled). You should also check the roof racks each time they are re-fitted. Always make sure to fasten your load securely. Please also ensure that all loads are evenly distributed and that the centre of gravity is kept as low as possible and must be entirely contained within the extents of the roof racks.

**Note for Dealers and Fitters:**

It is your responsibility to ensure these fitting instructions are given to the end user or client

Rhino-Rack, 22 Hanson Place, Eastern Creek

NSW 2766, Australia

(02) 8846 1900

rhinorack.com.au

Document No: R1071

Prepared By: Kayle Everett

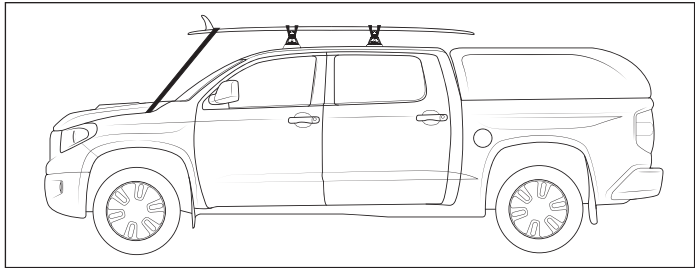
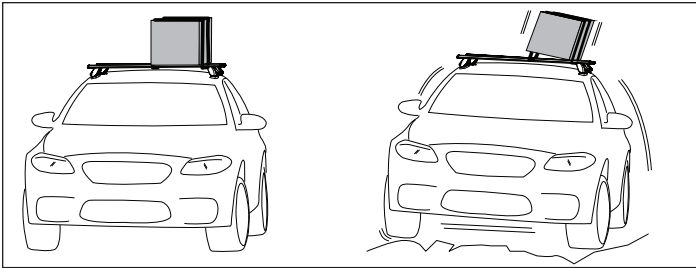
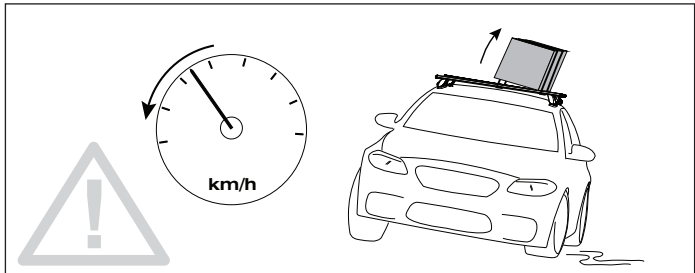
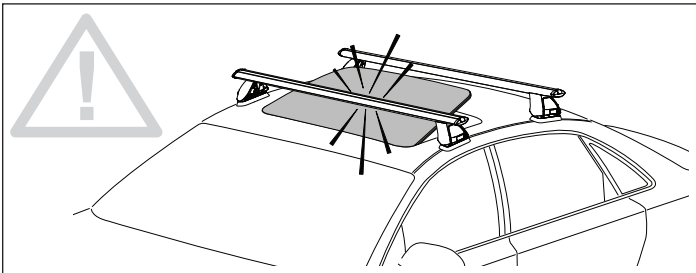
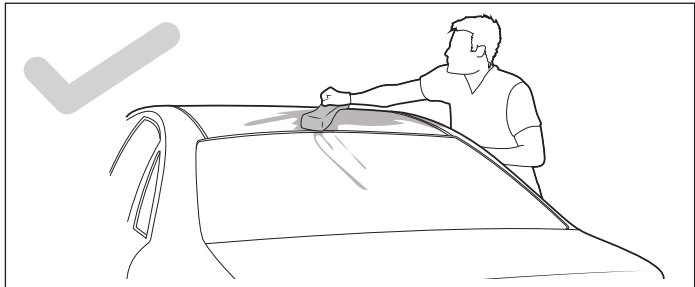
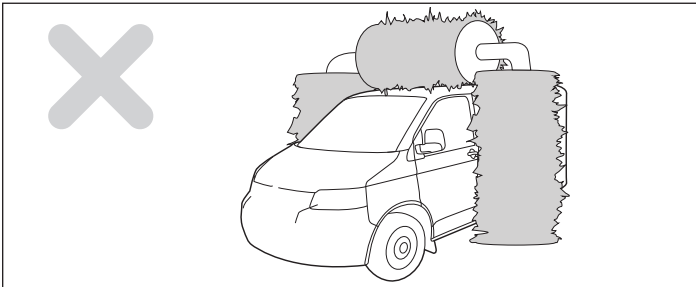
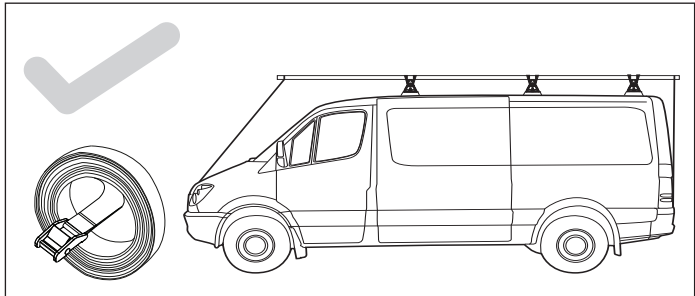
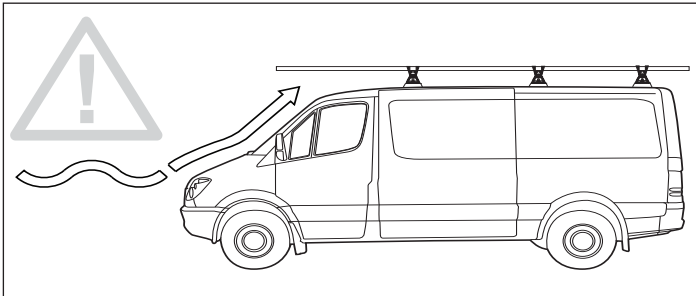
Authorised By: Nicholas Clarke

Issue No: 05

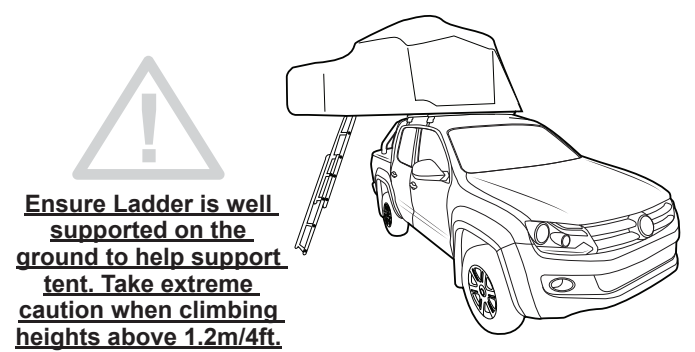
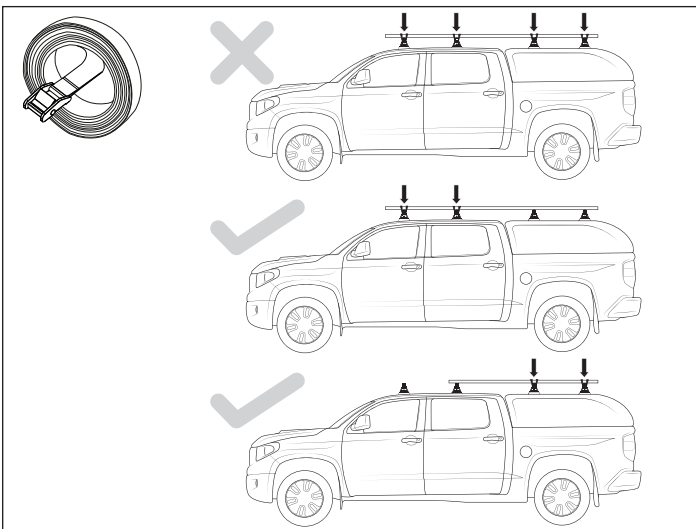
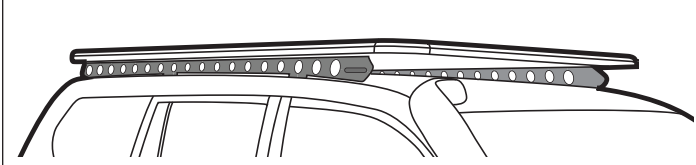
Issue Date: 15/10/2018

These instructions remain the property of Rhino-Rack Australia Pty. Ltd. and may not be used or changed for any other purpose than intended.

# Ford Ranger/ BT-50 Backbone - RFRB1



**System Weight: 25.5kg - 30kg**



# Ford Ranger/ BT-50 Backbone - RFRB1

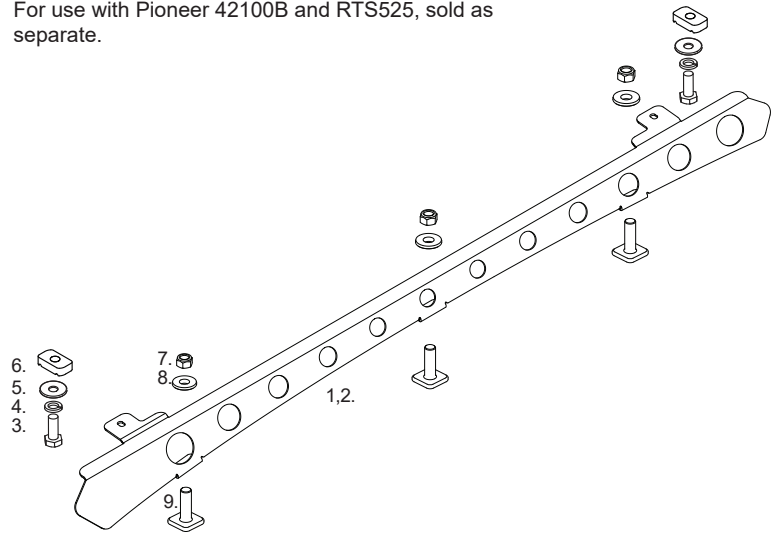
## Parts List

Item	RFRB1	Qty	Part No.
1	Ranger/BT50 Backbone LH	1	CA1610
2	Ranger/BT50 Backbone RH	1	CA1609
3	M8x20mm Hex Setscrew	4	B020-BLK
4	M8 Spring Washer	4	W019
5	M8x19x2.5 Flat Washer	4	W043
6	M8 Channel Nut	4	N003
7	M6 Nyloc Nut	6	N069
8	M6x16mm Flat Washer	6	W031
9	M6 x 16mm T - Bolt	6	B014
10	Instructions	1	R1071

**Tools Required:**

1. 13mm Socket Wrench
2. 10mm Spanner

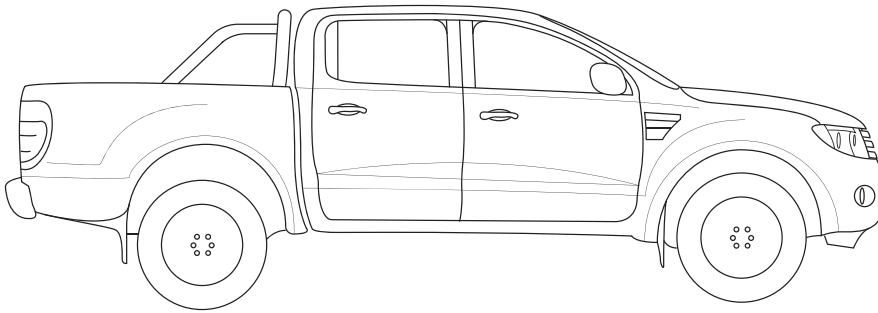
For use with Pioneer 42100B and RTS525, sold as separate.



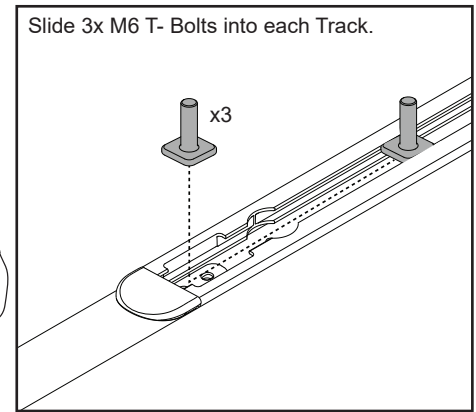
Left Side Pictured

## Instructions

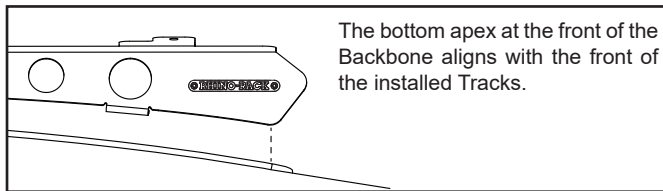
- 1 Move to the rear of the installed Tracks. Slide 3x M6 Square Nuts into each Track.



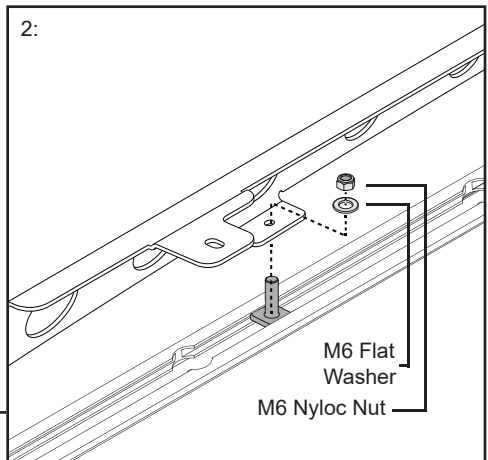
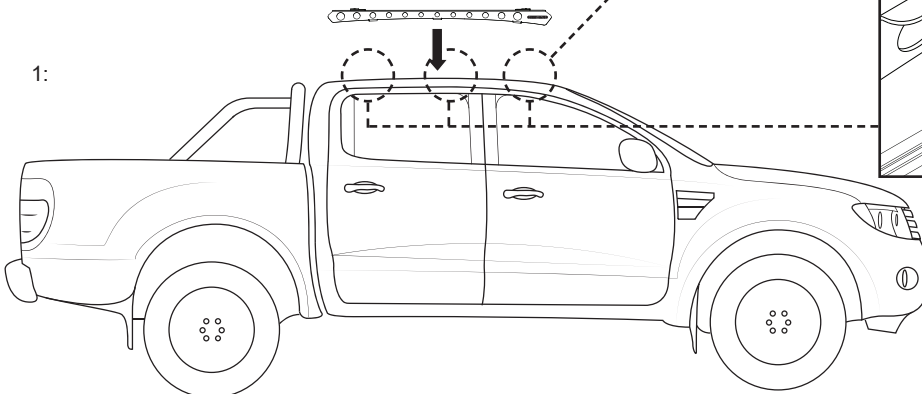
Slide 3x M6 T- Bolts into each Track.



- 2 1: Place the Backbone onto the Track. It is advised to complete this and the following steps with assistance. 2: Fix in place with M6 x Flat Washer and M6 Nyloc Nut. Use 10mm Spanner to tighten Nyloc Nut



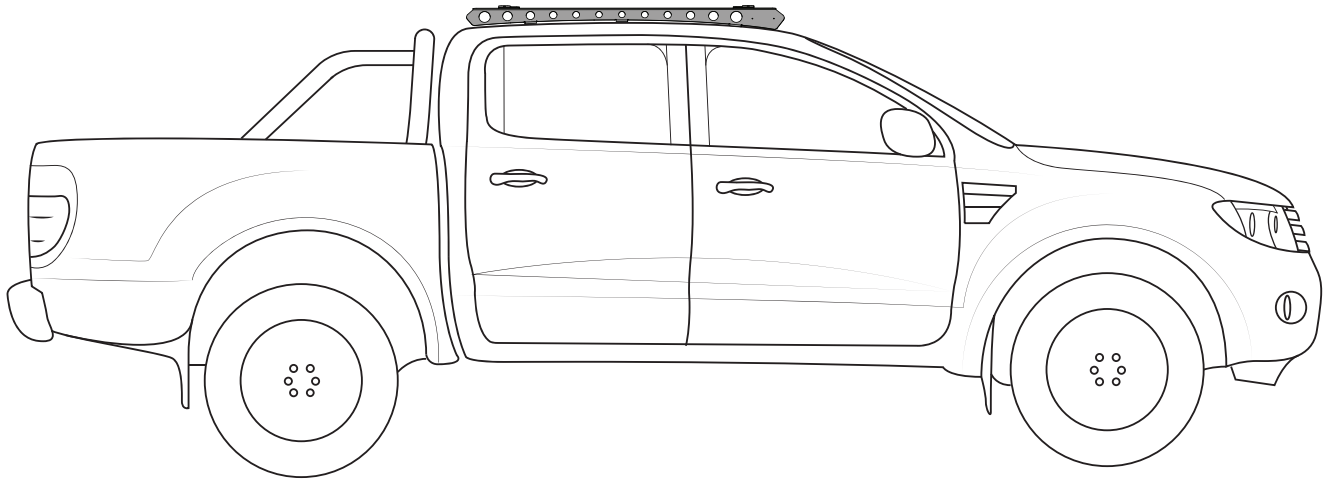
1:



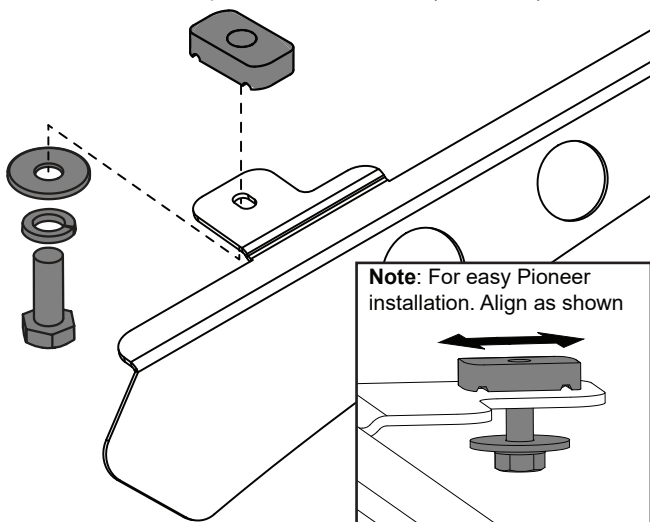
# Ford Ranger/ BT-50 Backbone - RFRB1

**3** Repeat previous steps for securing opposite side Backbone rail.

Ensure both Assemblies are securely positioned on the car. Check each bolt before proceeding to attaching the Pioneer Platform to the Backbone.

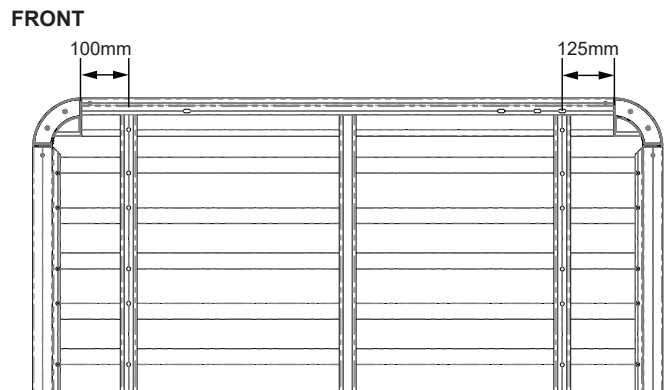


**4** Assemble M8 hardware as pictured below. Complete this for the six tabs on top of the backbone rails (2 each rail).

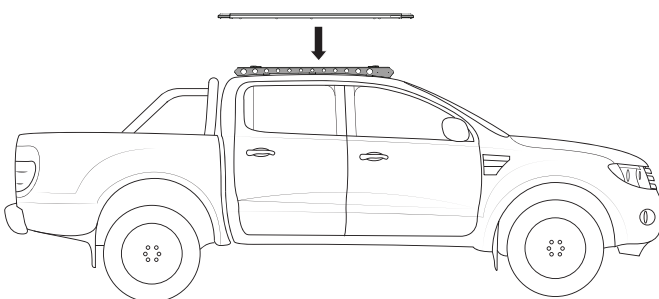


**5** Install Pioneer Underbars with slots indicated (42100  
**REAR:** 125mm from Rear (using slots)  
**FRONT:** 100mm from Front (drill)

The rear slot will have to be drilled with an 8.5mm drill bit. For detailed underbar installation instructions, refer to Pioneer fitting instructions.



**6** After underbars have been correctly fitted, place the Pioneer Platform on top of the Backbone. Align the underbars with the top tabs and ensure the M8 hardware fits into underbar channel.



**7** Once Pioneer Underbars have been aligned properly, tighten all M8 hardware using 13mm socket wrench or 13mm spanner. Ensure channel nut has rotated within Pioneer underbar and is fixing Pioneer securely.

